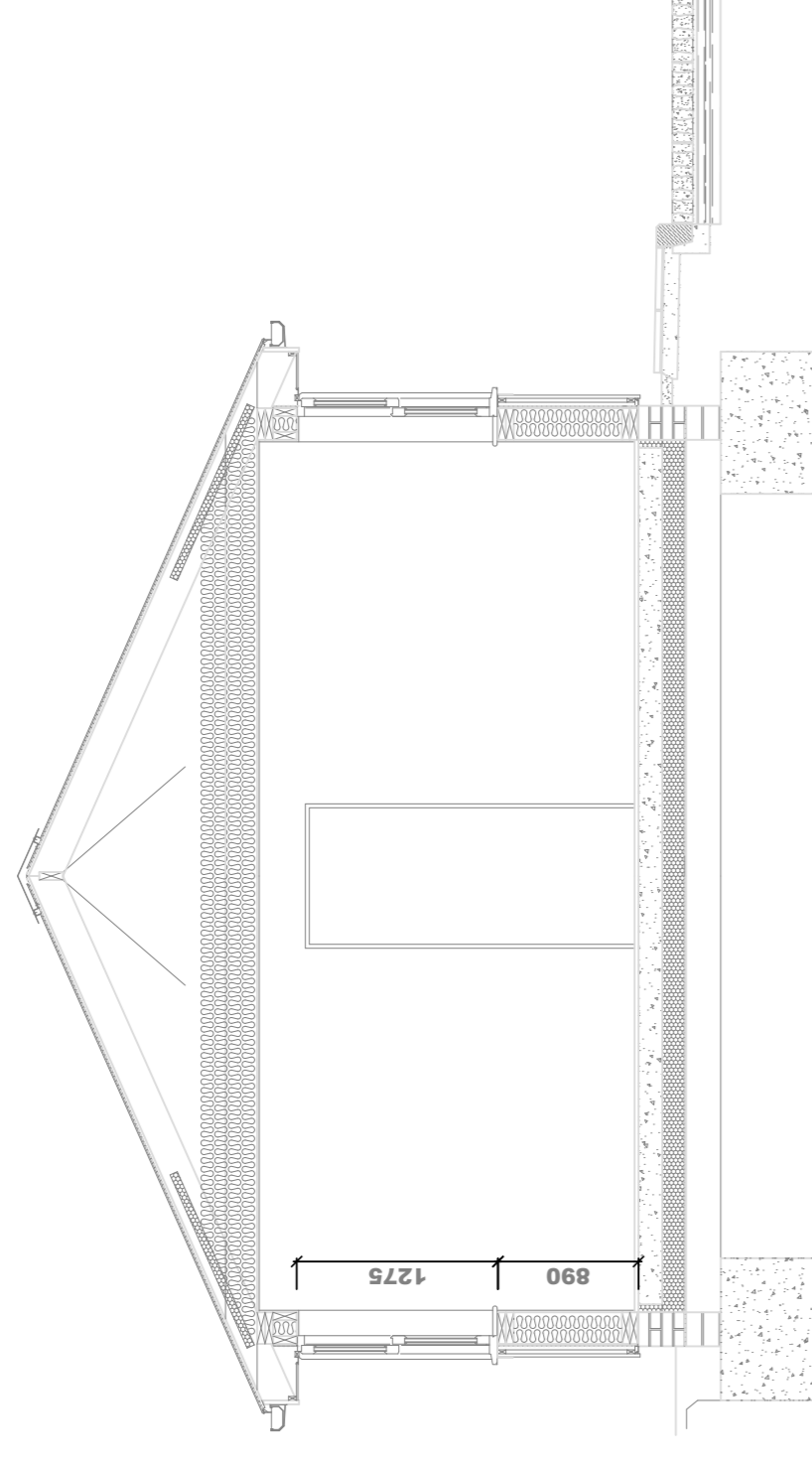
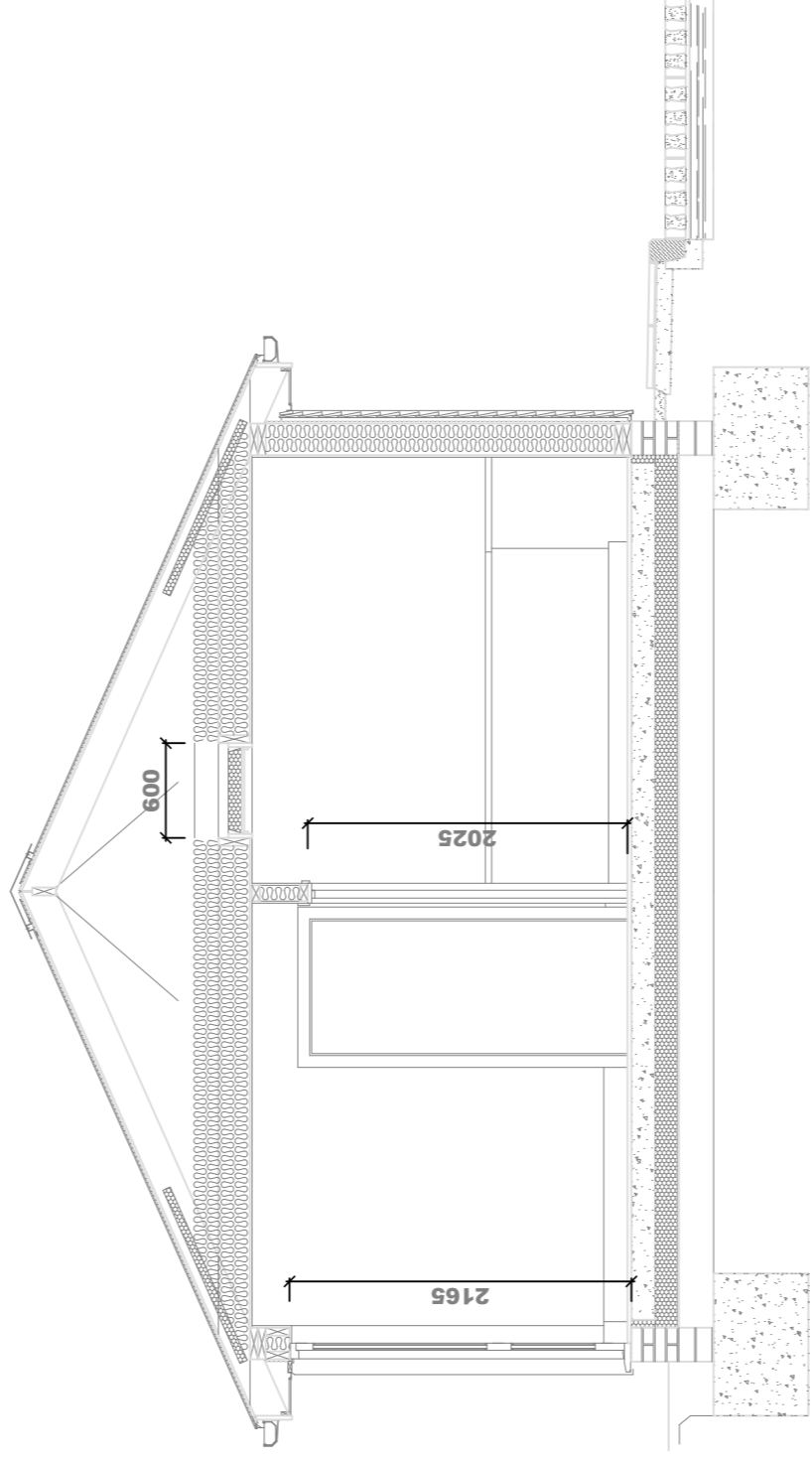


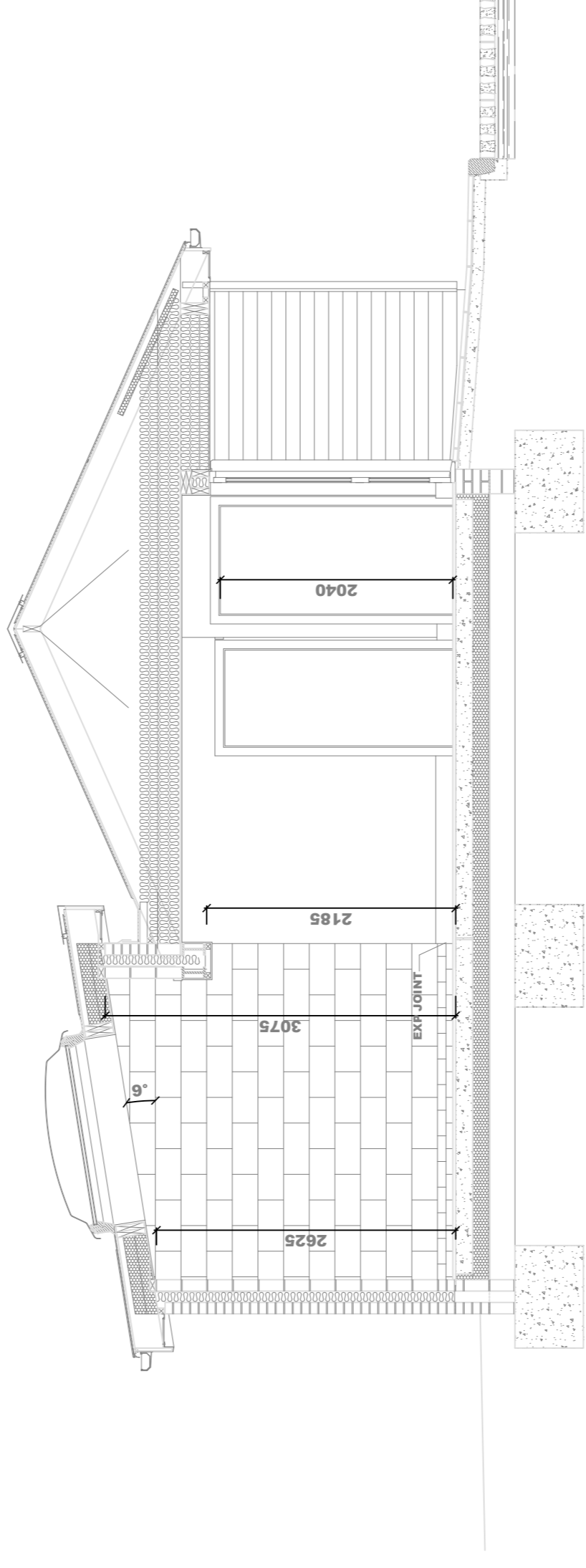
SECTION A-A



SECTION B-B



SECTION C-C

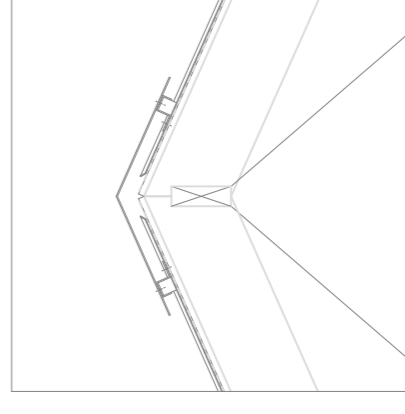


SECTION D-D

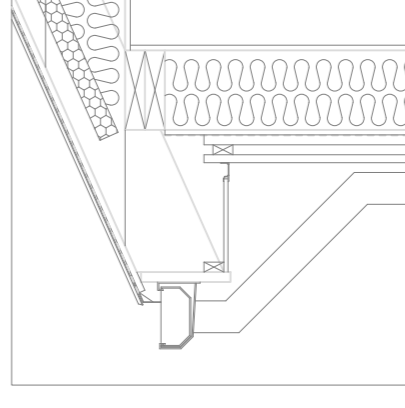
GENERAL NOTE...
 MAIN ROOF SPACE INSULATION TO BE MINUF LOFT ROLL TO NOT LESS THAN 400mm THICKNESS Laid 300 RANGE AT 50mm THICKNESS CUT BETWEEN TRUSSES AT PERIMETER TO FORM 50mm AIR GAP AT EAVES.
 PROVIDE 100mm CODE 4 LEAD DRIP TO ALL WINDOW SELLS.
 ALL JOINTS WITH MINUF LOFT FLOOR INSULATION.
 TRUSSES TO BE SPACED AT 1000mm ON CENTRE ON DENSE CONCRETE BLOCK PARTONES, BASE OF STEEL TRUSSES TO BE PROTECTED WITH 50mm FIRE RATED WOODS TO STRUCTURAL ENGINEERS QUALIFICATION.
 PRIOR TO INSTALLATION COAT STEELS WITH INTUMESCENT ENCASE IN 12.5mm FIRELINE BOARD AND 30MM TIMBER EDGING STRIP TO GLOSS PAINT FINISH.

HARD LANDSCAPING...
 ALL HARD LANDSCAPING TO BE COMPLETED PRIOR TO COMMENCEMENT OF CONSTRUCTION. ALL HARD LANDSCAPING TO BE SET OUT AND VERGE TO BE Laid ON CONCRETE BED WITH KUL KRIBD GRANITE AGGREGATE OVER FREE DRAINING SUB-BEDDED ON CONCRETE RAILINGING.
 DRIVE SURFACE - MARSHALLS GRASSGUARD CAVITY BLOCKS FILLED WITH BERDED SOIL LAD ON HOGGIN BEDDING LAY OVER 100mm 50/50 DUNE.
 ALL DRIVE SURFACES TO BE SET OUT AND FINISHED TO NOTIONAL 100mm DIAMETER TANNALISED TIMBER POLES HAMBURED IN TO THE GROUND TO RESTRAIN TO EACH LENGTH. BARS NOT TO PROJECT ABOVE MID POINT OF TIMBER.

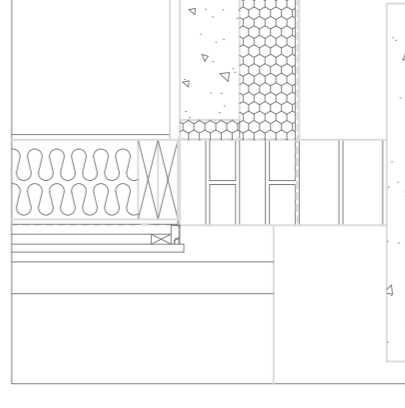
WIND COLD ROOF ON 15mm ORB 3 BRICK STANDING SEAM UN-COLOURED ALUMINIUM SYSTEM ON ELITE ROOF BREATHER.
WIND COLD 175 VENTIGLO COMPPOSITE FLASH, VENTIGLO ROAD, GOSPORT, CP2 SER. 0200 1892E



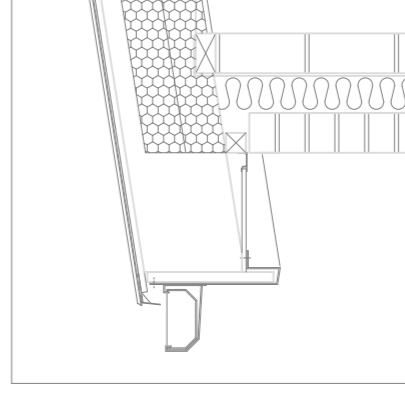
1:20 DETAIL...
 RIDGE CAPPING OVER RIDGE CLOSER AND HEAD OF SHEETS TURNED UP AND FIXING THROUGH CLASPER TOP BEARING TO DRUM SHEET. THIS SYSTEM SHALL BE USED TO PROVIDE A CONTINUOUS VENT.



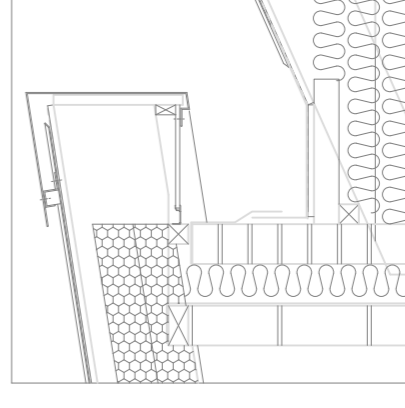
1:20 DETAIL...
 WIND DRIP FLASHING IN TO ALUMINIUM PVC PRODUCTS OF OUTER PROFILE. PLY FACIA AND SOFFIT ONE WITH PVC SYSTEM PVC CONTINUOUS VENT.



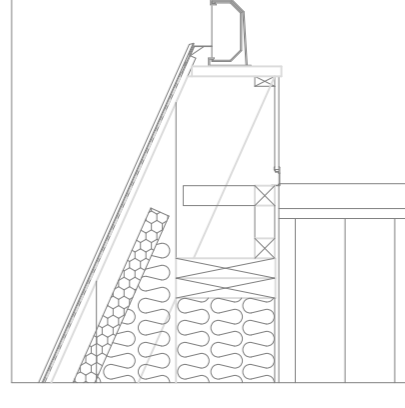
1:20 DETAIL...
 STANDARD SECTION AT PLINTH BELOW RED 5 STOCK BRICK OVER MEMBRANE WITH CONTINUOUS VENT TO BASE OF UTILITY BOARDING.



1:20 DETAIL...
 SHALLOW PITCH ROOF EAVES TREATMENT TO BE USED TO PROVIDE PROTECTION TO SUBSTRATE AND MAY REQUIRE VALUATION TO BE USED TO PROVIDE PROTECTION TO ROOF VENTILATION SPANS OVER MASONRY.



1:20 DETAIL...
 VEE RIDGE CAPPING AND SECURED TO VENT. ALUMINIUM COVER FLASHING SHALL BE USED TO PROVIDE PROTECTION TO RISING UP ROOF PITCH TO BE DRESSED AND STRAPPING TO WALL PLATE IN CAVITY.



1:20 DETAIL...
 DOUBLE BEAM TO RECEIVE TRUSS ENDS TO PROVIDE SUPPORT TO TRUSSES. THIS SYSTEM SHALL BE USED TO PROVIDE PROTECTION TO SOFFIT WITH CONTINUOUS VENT AS OTHER CONDITIONS SOFFIT MAY BE UNDESIRABLE IN THIS SYSTEM TO PROVIDE PROTECTION TO STAINED AS HORIZONTAL CLADDING.

SECTIONS A-A TO D-D
 SCALE 1:50
 DATE 5.6.13
 DRAWN AS
 CHECKED -



Island Cottage
 Tamar Street, Torpoint, Cornwall, PL11 2AW.
 e-mail: andystrange@btinternet.com
 Tel: 01752 514004, 07770 421624
 www.andystrangearchitecture.com

DRAWING NO. **1365-AA-014**
 CAD NO. C:DRAWINGS\1365014
 REV -

ALL VENT SYSTEMS SHALL BE PROVIDED WITH A CONTINUOUS VENT TO PROVIDE PROTECTION TO THE SUBSTRATE AND MAY REQUIRE VALUATION TO BE USED TO PROVIDE PROTECTION TO ROOF VENTILATION SPANS OVER MASONRY. THIS SYSTEM SHALL BE USED TO PROVIDE PROTECTION TO SOFFIT WITH CONTINUOUS VENT AS OTHER CONDITIONS SOFFIT MAY BE UNDESIRABLE IN THIS SYSTEM TO PROVIDE PROTECTION TO STAINED AS HORIZONTAL CLADDING. THE AUTHOR'S ASSURED SCOPE OF WORK MAY BE LIMITED.